

# Linear guide rails

## LFS-8-7

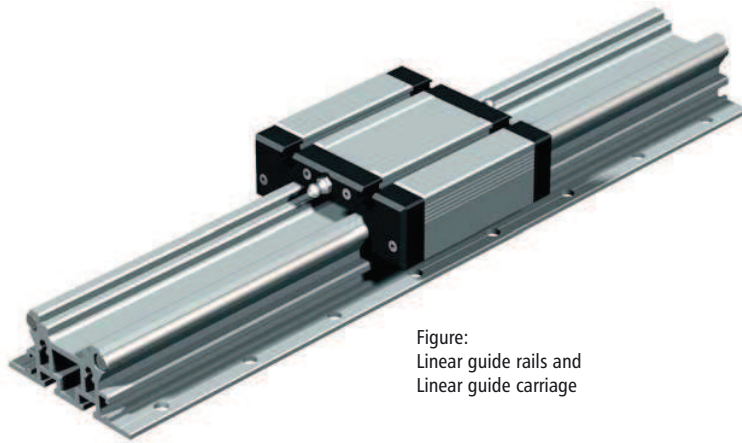


Figure:  
Linear guide rails and  
Linear guide carriage

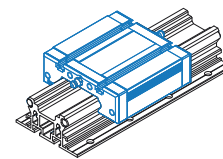
### Features

- W 78 x H 36 mm
- 2 precision steel shafts Ø 8 mm mounting grid 100 mm
- shaft housing contour (terminal connection)
- aluminium profile rail with T-slots, natural anodized
- conditionally cantilevered
- Standard length 3 m, segmentable at will
- weight: 2,9 kg/m
- Optionen: other lengths

### Ordering key

**235 012 XXXX**

Length in mm (in a grid of 100 mm)  
e.g. **0019** = Length 196  
**0299** = Length 2996



### Linearführungsschlitten WS 11/70

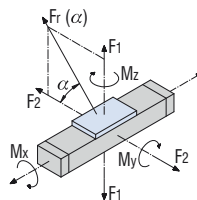
- Alu-Schlitten mit 8 Stahleinlagen L 96 x B 96 x H 32 mm
- 4 Kugelläufe, spielfrei einstellbar
- Schmiernippel stirnseitig
- Gewicht: 0,40 kg

Art.-Nr.: **223111 0070**

### Load data

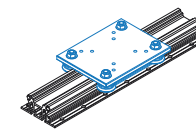
Shaft slide WS 11/70	
C <sub>0</sub>	3114 N
C	1846 N
F <sub>1</sub> static	2659 N
F <sub>1</sub> dynamic	1576 N
F <sub>2</sub> static	3114 N
F <sub>2</sub> dynamic	1846 N
M <sub>x</sub> static	67.3 Nm
M <sub>y</sub> static	100.5 Nm
M <sub>z</sub> static	117.6 Nm
M <sub>x</sub> dynamic	39.9 Nm
M <sub>y</sub> dynamic	59.5 Nm
M <sub>z</sub> dynamic	69.7 Nm

Trolley LW 10	
C <sub>0</sub>	2160 N
C	4000 N
F <sub>1</sub> static	4320 N
F <sub>1</sub> dynamic	3792 N
F <sub>2</sub> static	2160 N
F <sub>2</sub> dynamic	4000 N
M <sub>x</sub> static	170.4 Nm
M <sub>y</sub> static	248.4 Nm
M <sub>z</sub> static	124.2 Nm
M <sub>x</sub> dynamic	149.5 Nm
M <sub>y</sub> dynamic	218.0 Nm
M <sub>z</sub> dynamic	230.0 Nm



$$Fr(\alpha) = \frac{F_2}{\cos \alpha}$$

$$Fr(\alpha) = \frac{F_1}{\sin \alpha}$$



### Laufwagen LW 10

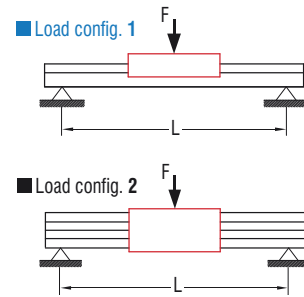
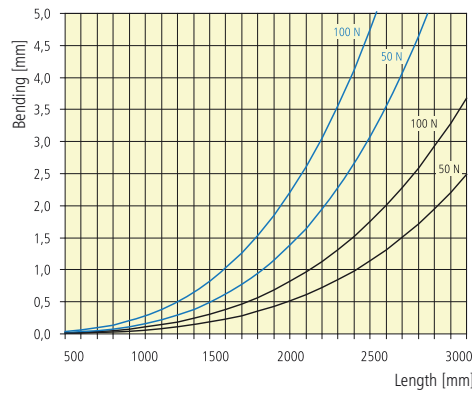
- L 150 x B 115 x H 7,7 mm
- geschliffene Stahlplatte
- 4 Laufrollen Ø 31 mm
- lebensdauergeschmiert
- spielfrei einstellbar
- Gewicht: 1,47 kg

Art.-Nr.: **223 014**

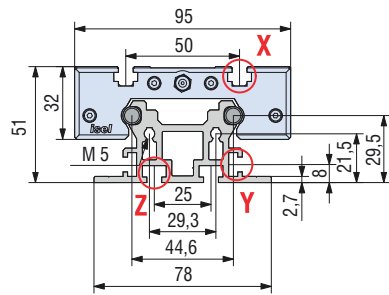
# Linear guide rails

## LFS-8-7

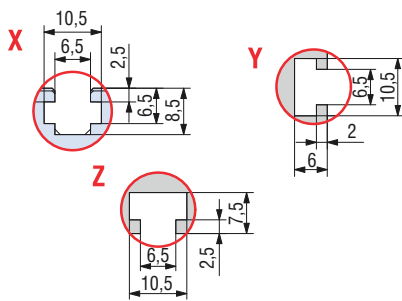
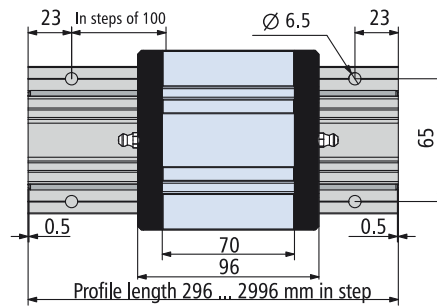
### Bending



### Dimensioned drawings



LFS-8-7 with shaft slide WS 11/70



LFS-8-7 with trolley LW10

