

Features

- Step angle 1.8°, low resolution thanks to Microstep operation
- Very high torque thanks to rare-earth magnets
- Optimised for use in positioning controls
- Optimum ratio of torque and size
- Small step angle error, non-cumulative



SM 60 M

SM 60 L

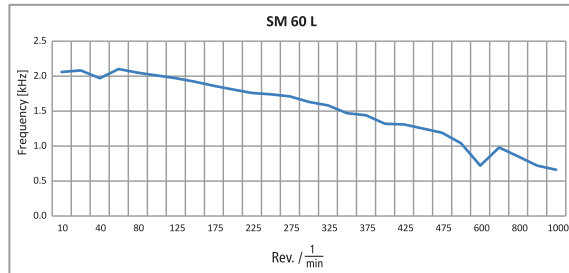
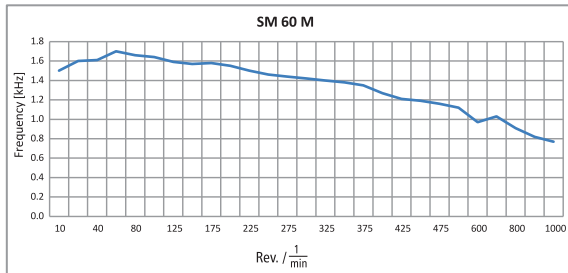
Technical Data

Description		SM 60 M	SM 60 L
Holding torque bipolar	Nm	2.2	3.0
Winding current per phase	A	2.8	2.8
Coil voltage per phase	V	3.9	3.9
Winding resistance per phase at 2,5°C	Ω	1.4	1.4
Winding inductivity per phase at 1 kHz	mH	3.8	5.6
Rotor inertia	g/cm ²	380	680
Step angle / angle error		1.8°	1.8°
Connection cables		4	4
Weight	kg	1.0	1.3
Item-No.		470480 0002	470480 0003

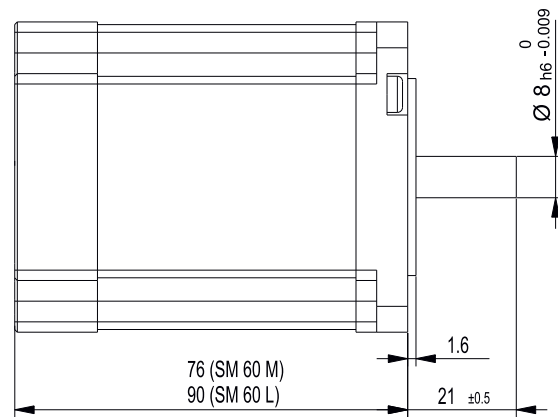
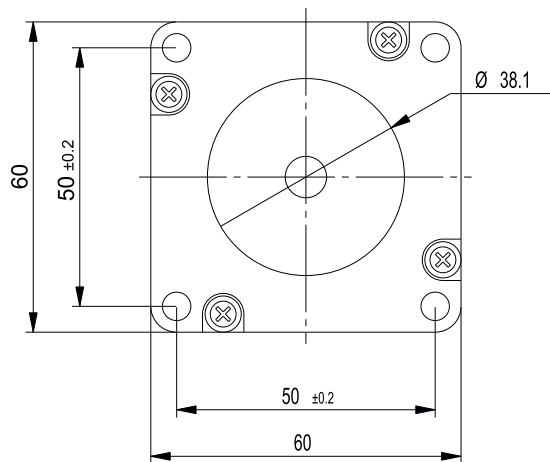
Maximum permissible radial load: 90 N (at 10mm)
ISO-class: B (130°)
Protection class: IP40
Ambient temperature: -10°C ... +50°C
Isolation resistance: 100 M / 500 VDC

Technical specifications subject to change.

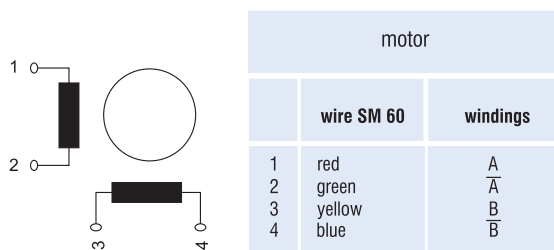
Torque characteristics



Dimensions



Connection consignment



Technical specifications subject to change.